



SPARE PARTS CATALOGUE  
ERSATZTEILKATALOG  
CATALOGUE PIECES DETACHEES  
CATALOGO PARTI RICAMBIO  
CATALOGO DE PIEZAS DE RECAMBIO  
CATALOGO PECAS, DE REPOSICAO

Catalogo parti di ricambio valido  
dalla matricola 4366116 ad oggi (29/10/2021)

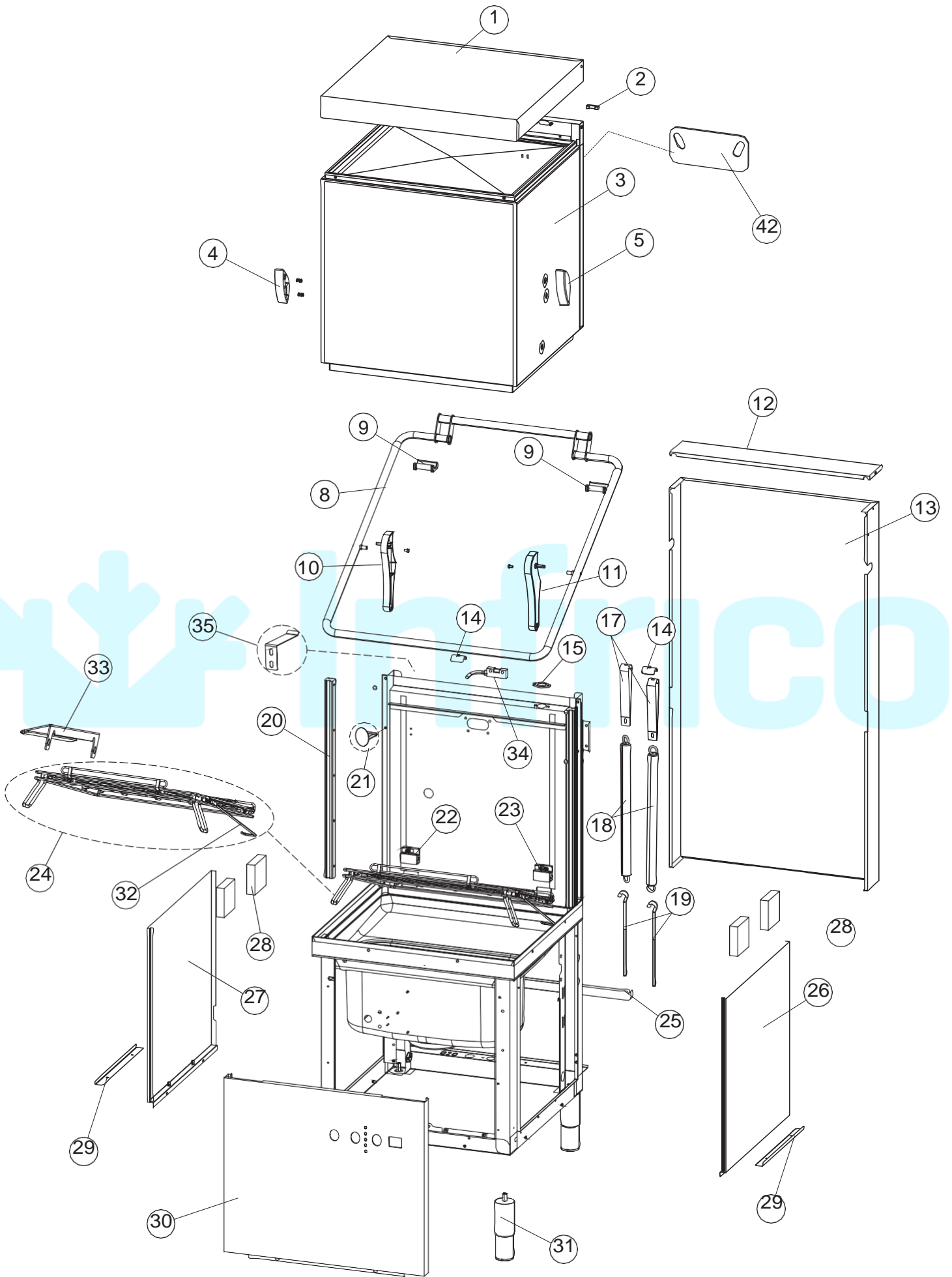
Catalogue pieces detachees  
du numero de Série n. 4366116 jusqu'à aujourd'hui (29/10/2021)

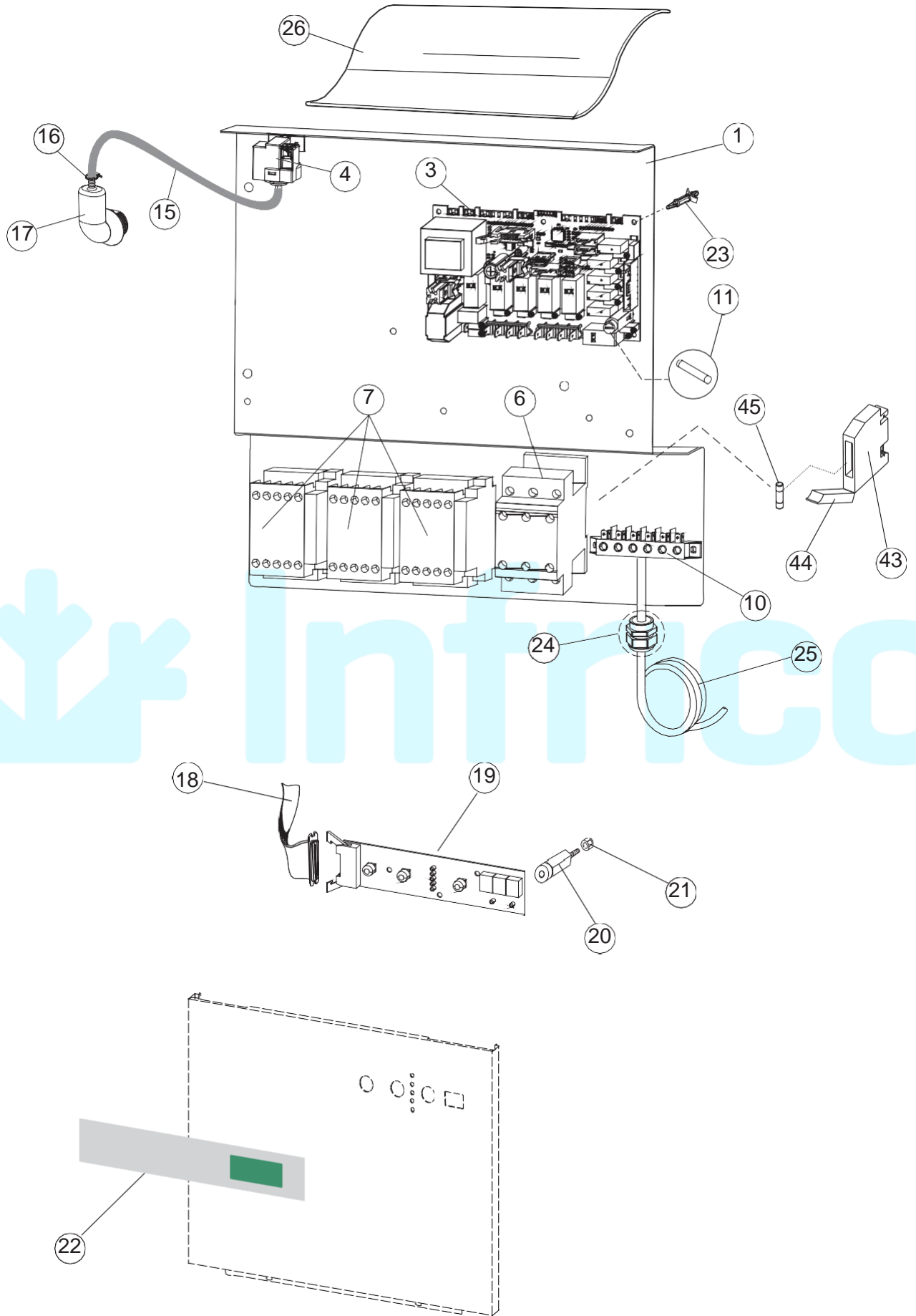
Ersatzteilkatalog  
gültig ab Serien-Nr. 4366116 bis heute (29/10/2021)

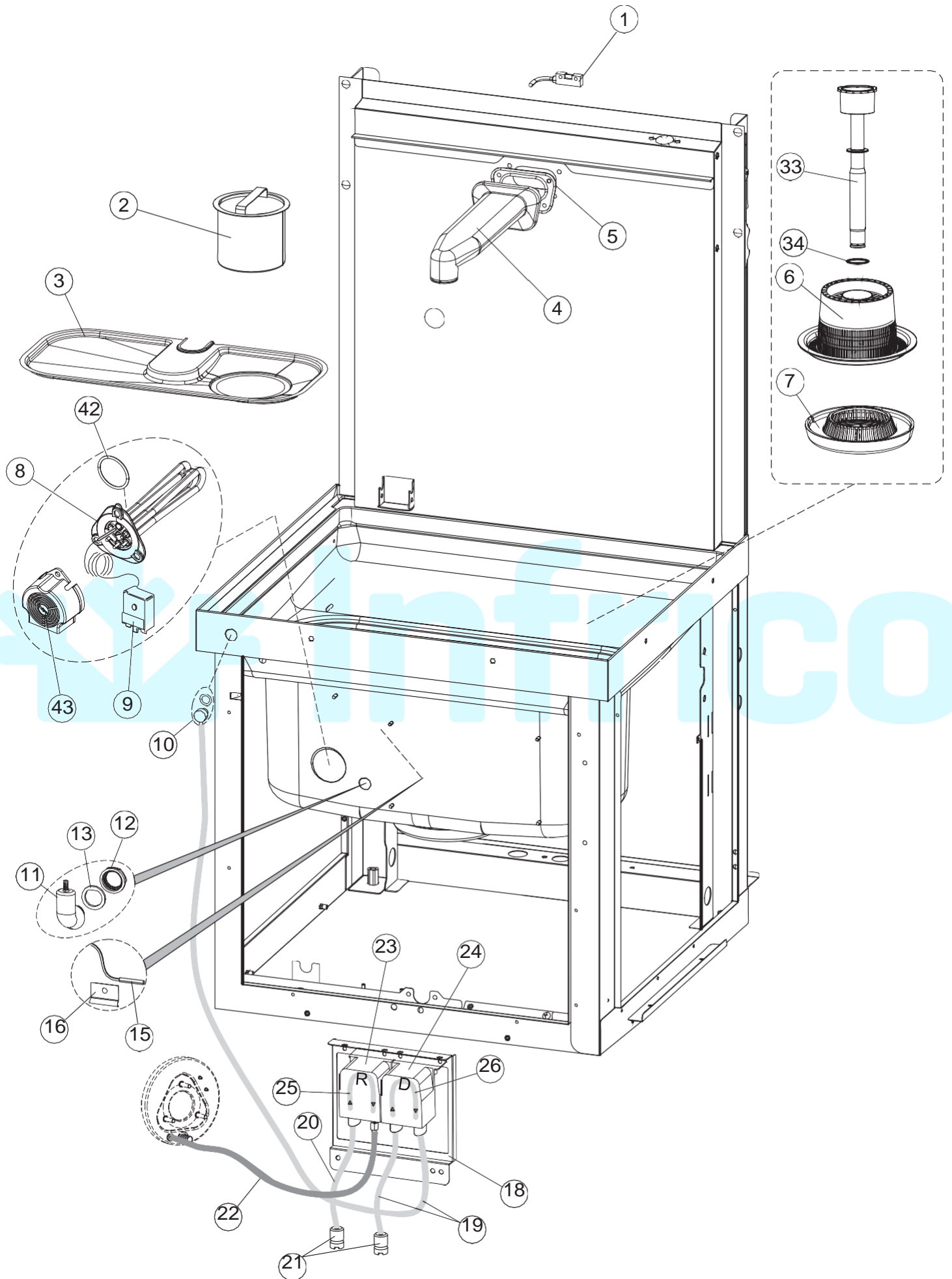
Spare parts catalogue  
valid from serial no. 4366116 up today (29/10/2021)

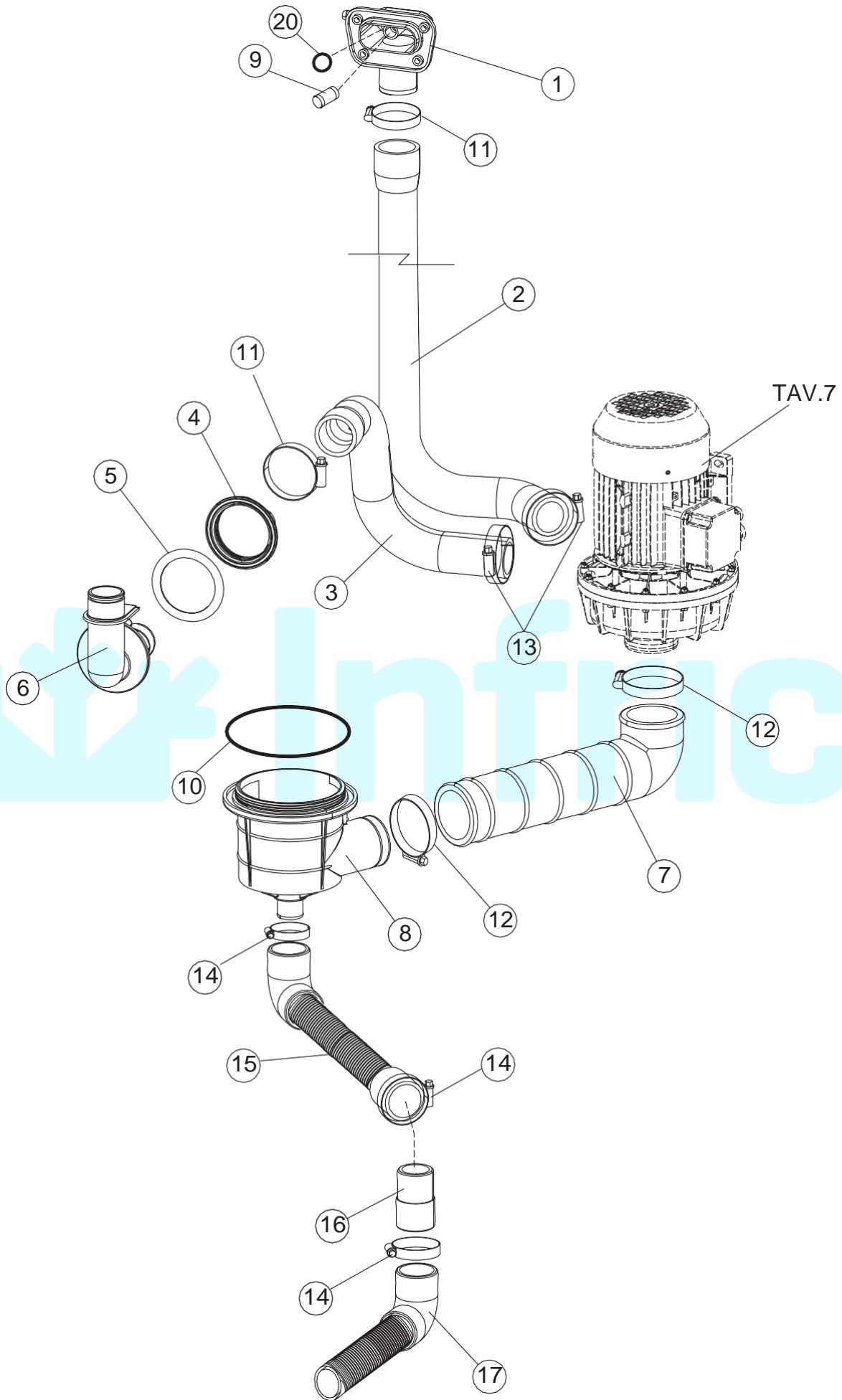
Catálogo de peças de reposição  
válido do número de série 4366116 até hoje (29/10/2021)

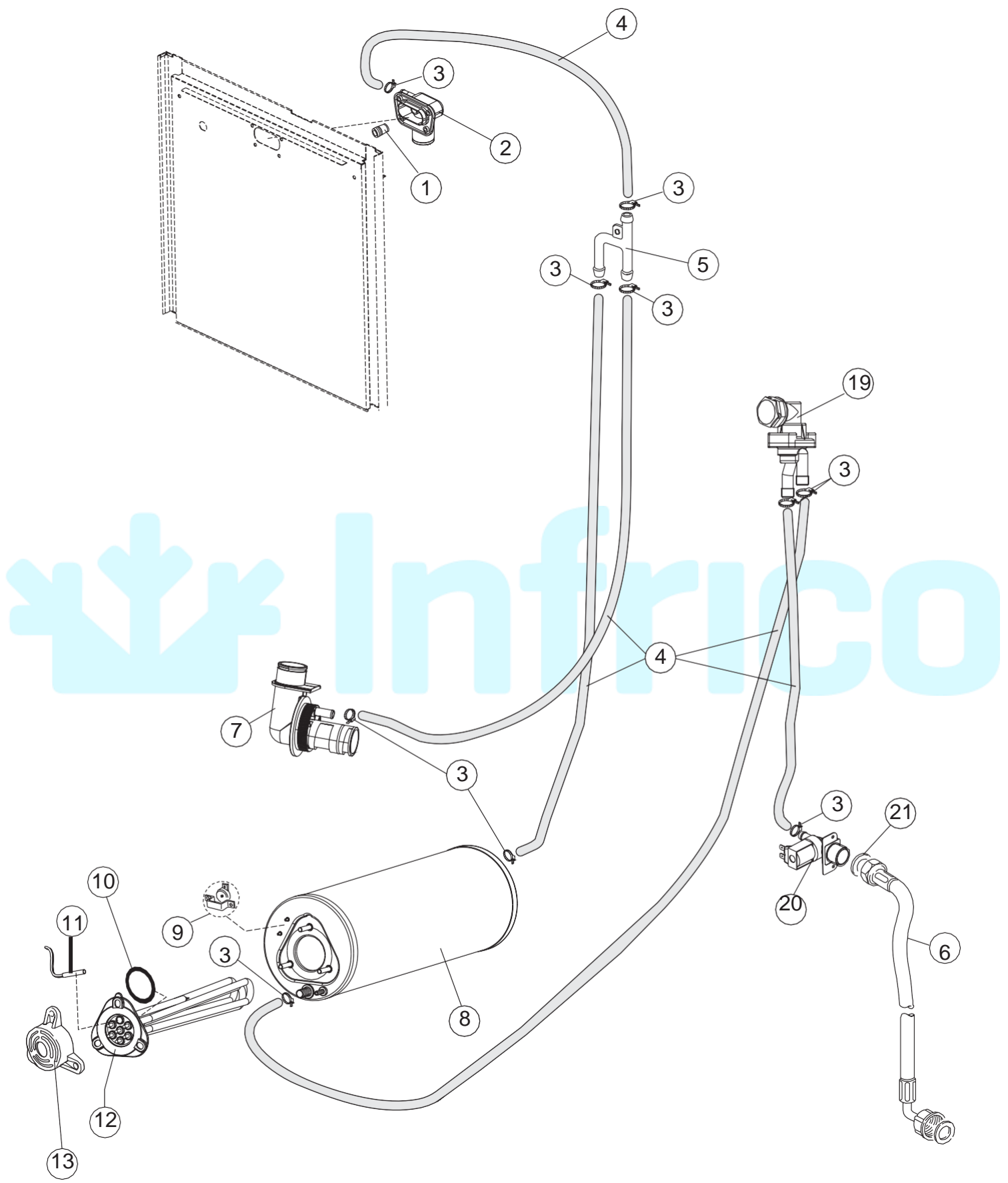
**LCP4560ED**

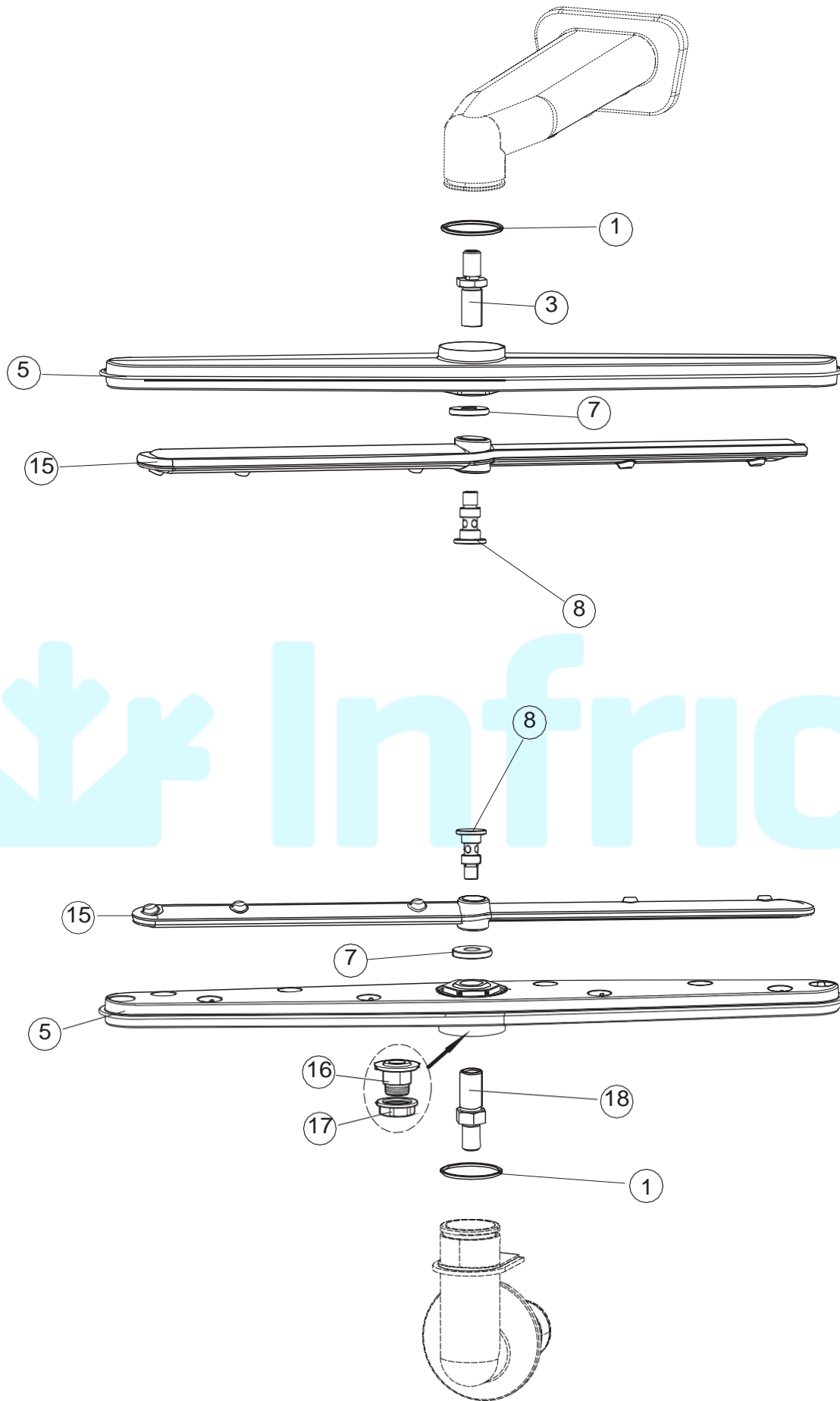




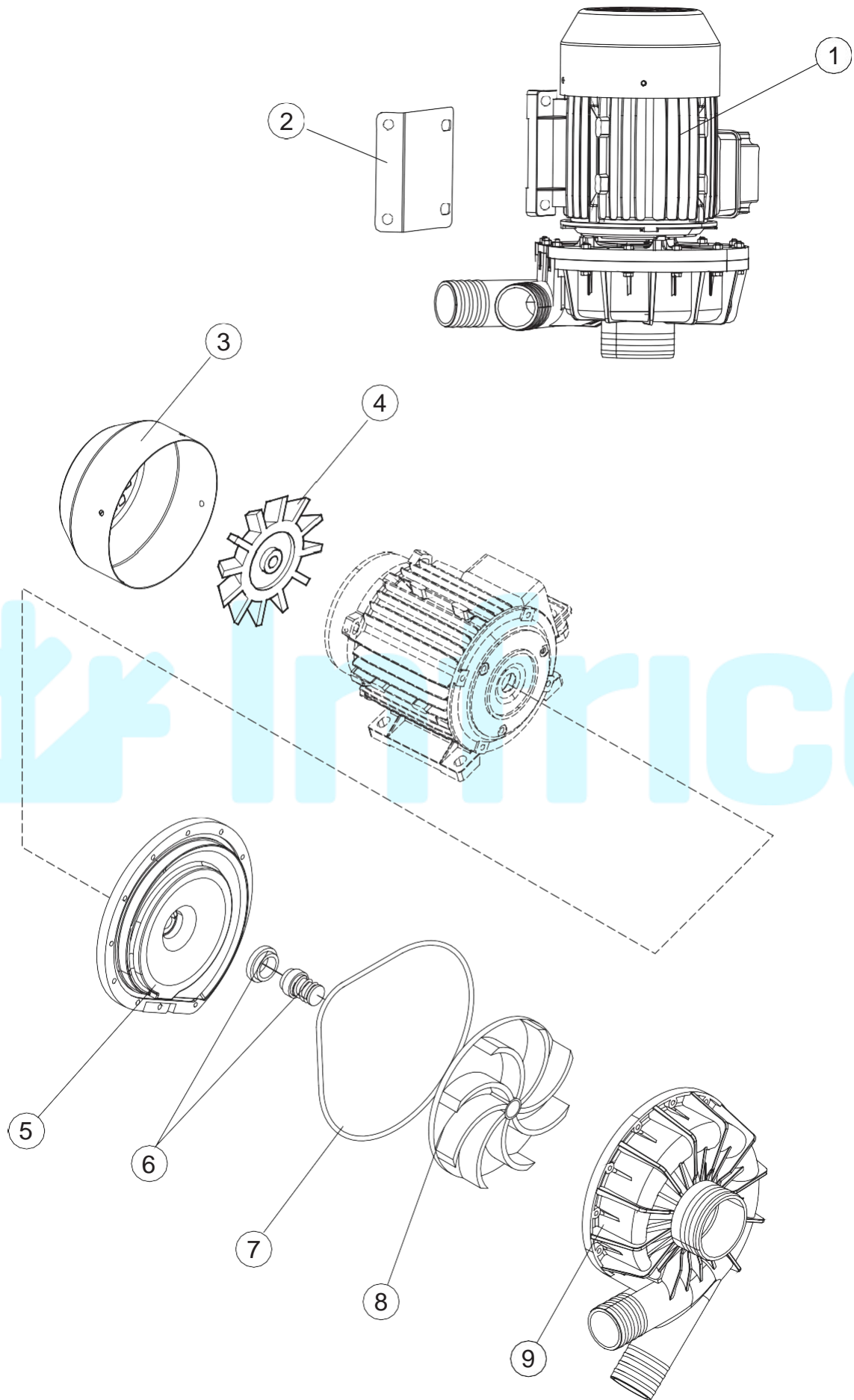




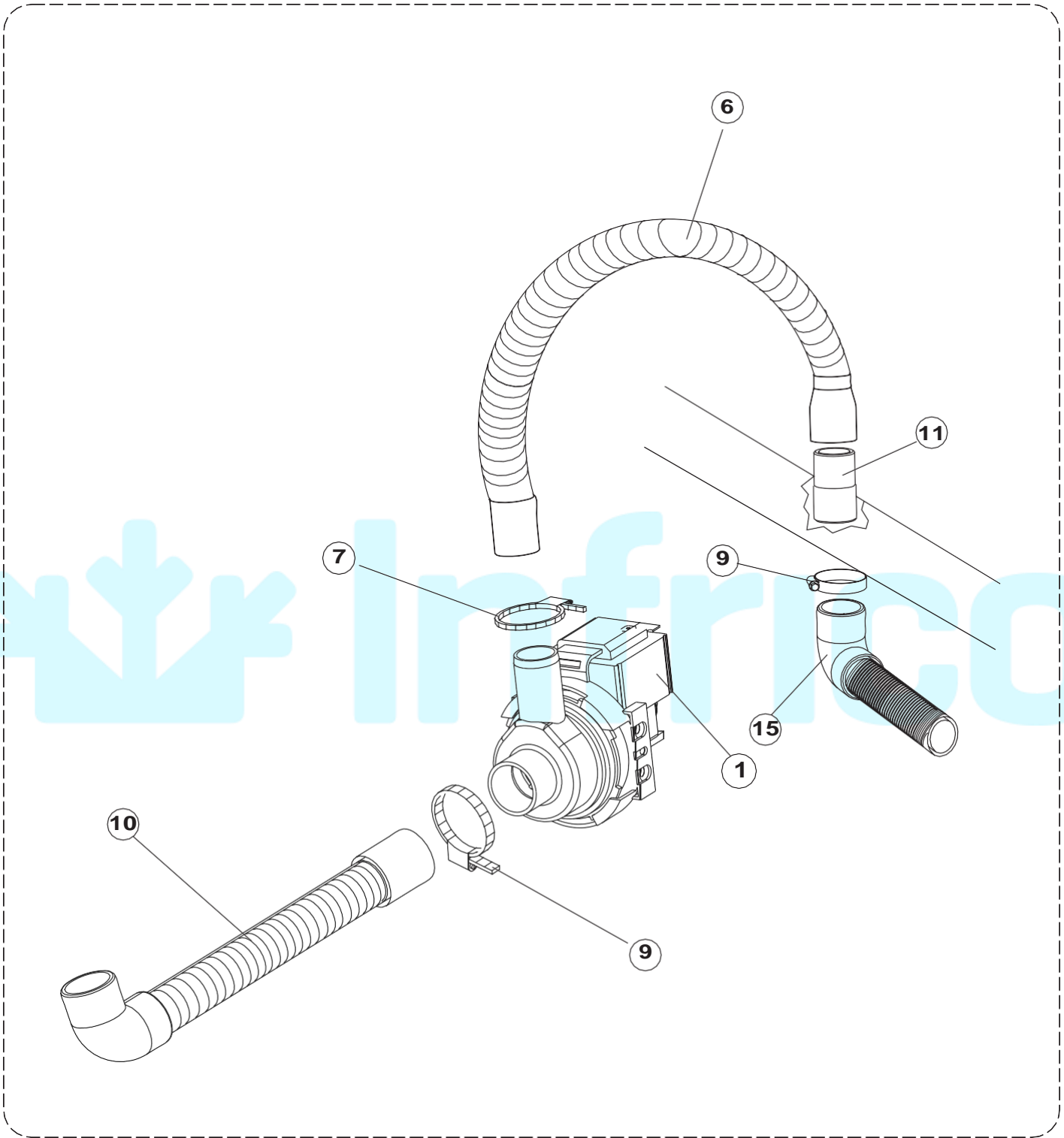












(\*) Recommended spare part.

Page	Spare part position	Spare part code no.	Old code	Description	U.m.
1	1	70351		TOP PANEL	NR
1	2	927088		MAGNET FOR HOOD MICROSWITCH	NR
1	3	K70339		COMPLETE SQUARED HOOD ASSEMBLY	NR
1	4	70202		LEFT HOOD HANDLE STOP	NR
1	5	70203		RIGHT HOOD HANDLE STOP	NR
1	8	70126		HANDLE	NR
1	9	70192		PART NUMBER NO LONGER AVAILABLE	
1	10	70200		LEFT LEVER HOOD	NR
1	11	70201		RIGHT LEVER HOOD	NR
1	12	70324		BACK PANEL	NR
1	13	70163		BACK PANEL	NR
1	14	70277		SPRING HOOKING SLIDE	NR
1	15	70092		BRIDE CABLE FLAT	NR
1	17	70031		SPRING ADJUSTMENT HOOK	NR
1	18	926108		EXTENSION STEEL SPRING FOR DISHWASHER	NR
1	19	926009		SPRING ADJUSTMENT HOOK	NR
1	20	K70365		REPLACEMENT HOOD KIT GUIDE	NR
1	21	70998		SPACER	NR
1	22	70036		LEFT BRACKET	NR
1	23	70035		RIGHT BRACKET	NR
1	24	70255		RACK FRAME	NR
1	25	70019		HOLDER TENSION SPRING	NR
1	26	70872		RIGHT SIDE PANEL	NR
1	27	70071		PRICE TO BE DEFINED (PART NR. REPLACED BY 70871)	
1	27	70871		LEFT SIDE PANEL	NR
1	28	41042		ADHESIVE PLUG	NR
1	29	80078		SUPPORT BRACKET	NR
1	30	70382		PRICE TO BE DEFINED	
1	31	73100		FOOT	NR
1	32	70265		PART NUMBER NO LONGER AVAILABLE	
1	33	70250		SIDE BRINGS BASKETS	NR
1	34	80871		MAGNETIC DOOR SWITCH	NR

(\*) Recommended spare part.

Page	Spare part position	Spare part code no.	Old code	Description	U.m.
1	35	70300		STIRRUP	NR
1	42	70261		PRICE TO BE DEFINED	
2	1	70470		WIRING PANEL	NR
2	3	215042-1		MAIN BOARD GET50.2	NR
2	4	224031		PRESSURE SWITCH	NR
2	6	73351		CONTACTOR	NR
2	7	73350		CONTACTOR	NR
2	10	220011		TERMINAL BLOCK	NR
2	11	228010		FUSE	NR
2	15	143235		PIPE	MT
2	16	423011		PART NUMBER NO LONGER AVAILABLE (PART NR. REPLACED BY 423028)	
2	16	423028		HOSE CLAMP	NR
2	17	70600		AIR TRAP FOR PRESSURE SWITCH	NR
2	18	80934		FLAT CABLE	NR
2	19	80945		PUSH BUTTONS ASSEMBLY	NR
2	20	419036		INTERFACE BOARD DISTANCE KEEPERS	NR
2	21	417119		NUT	NR
2	22	74767		CONTROL ADHESIVE INTERFACE	NR
2	23	CWP2		FOOT	NR
2	24	DEP521		CABLE GLAND	NR
2	25	69803		POWER CABLE	NR
2	26	70744		PROTECTION CLOTH	NR
2	43	74935		FUSE-HOLDER	NR
2	44	H.228048		PRICE TO BE DEFINED	
2	45	228014		PRICE TO BE DEFINED (PART NR. REPLACED BY 228010)	
2	45	228010		FUSE	NR
3	1	80871		MAGNETIC DOOR SWITCH	NR
3	2	70159		TANK STRAINER BASKET	NR
3	3	70153		STAINER	NR
3	4	73178		MAINFOLD	NR
3	5	80178		GASKET	NR
3	6	121120		STAINER	NR

(\*) Recommended spare part.

Page	Spare part position	Spare part code no.	Old code	Description	U.m.
3	7	429072		RING NUT	NR
3	8	74088		HEATING ELEMENT	NR
3	9	67870		THERMOSTAT	NR
3	10	999348		DETERGENT TANK FITTING	NR
3	11	70600		AIR TRAP FOR PRESSURE SWITCH	NR
3	12	417120		NUT	NR
3	13	437098		GASKET	NR
3	15	231016		TEMPERATURE PROBE	NR
3	16	H.775489-001		SUPPORT TEMPERATURE PROBE	NR
3	18	80675		SUPPORT BRACKET	NR
3	19	143194		PIPE	MT
3	20	H.775601		PIPE	MT
3	21	121993		FILTER AID DISPENSER	NR
3	22	143005		LINEN RUBBER PIPE 5X12 - BLACK	MT
3	23	209042		DOSING PUMP	NR
3	24	209043		DETERGENT DOSING PUMP	NR
3	25	143261		HOSE	NR
3	26	143258		"SANTOPRENE" PIPE	NR
3	33	70355		OVERFLOW PIPE	NR
3	34	70135		O-RING	NR
3	42	456002		O-RING	NR
3	43	69870		BOILER HEATING ELEMENT PROTECTION	NR
4	1	80174		PIPE FITTING	NR
4	2	70020		PIPE	NR
4	3	70021		DELIVERY WASH HOSE	NR
4	4	70473		RING NUT	NR
4	5	70476		GASKET	NR
4	6	70475		LOWER MANIFOLD	NR
4	7	80186		SUCTION PIPE	NR
4	8	70040		DRAIN COCKPIT	NR
4	9	441009		GASKET	NR
4	10	456076		O-RING	NR



(\*) Recommended spare part.

Page	Spare part position	Spare part code no.	Old code	Description	U.m.
6	3	70886		BOTTOM PIVOT WASH ARM M10	NR
6	5	80311		COMPLETE WASH ARM	NR
6	7	80697		RING NUT	NR
6	8	80700		PIVOT	NR
6	15	129080		COMPLETE RINSE ARM	NR
6	16	80310		GREY WASH ARM HOLDER (RAL 7001)	NR
6	17	80314		PART NUMBER NO LONGER AVAILABLE (PART NR. REPLACED BY 926128)	
6	17	926128		HUB SUPPORT NUT FOR WASHING ARMS FOR DISHWASHERS MOD L51/52 (S6695)	NR
6	18	69286		BOTTOM PIVOT	NR
7	1	70100		WASHPUMP	NR
7	2	70105		BRACKET	NR
7	3	70940		ELECTROPUMP FAN COVER	NR
7	4	70939		WASHPUMP FUN	NR
7	5	70941		PART NUMBER NO LONGER AVAILABLE	
7	6	70942		WASHPUMP SHAFT SEAL	NR
7	7	70943		O-RING	NR
7	8	70944		ELECTROPUMP IMPELLER	NR
7	9	70945		ELECTROPUMP HOUSING	NR
8	1	999363		DRAIN PUMP90- V 220/240- F50	NR
8	6	70110		DRAIN HOSE	NR
8	7	CFS18		HOSE CLAMP	NR
8	9	CFS1		HOSE CLAMP	NR
8	10	70097		DRAIN HOSE	NR
8	11	70167		DRAIN CONNECTION	NR
8	15	143252		DRAIN HOSE	NR